

Hand-cut stone

Purchase order

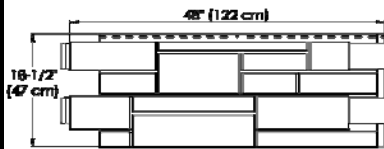

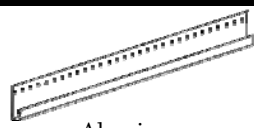
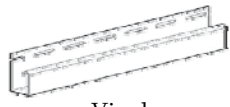
Estimating sheet

Sold to : _____ **Ship to :** _____
Address : _____

Tel : _____
Fax : _____ **Contact :** _____

Tel : _____

Project name : _____ **Residential delivery**
 _____ **or**
Required date : _____ **Commercial delivery**

| | Description | | Profile | Total Qty |
|-----|---|--------------|--|---------------------|
| (A) | Stone Panels 18,5"x48" 1 pc = 5.55 ft ² | Box = 9 pcs |  | Color: _____ Box |
| (B) | Stone Corner 6x19.8" 1 pc = 1.5 linear feet | Box = 10 pcs |  | Color: _____ Box |
| (C) | Starter Strip J 10' | Box = 25 pcs |  Aluminum | Color: _____ Box |
| (D) | Vinyl J- Trim 12' | Box = 40 pcs |  Vinyl | Color: _____ Box |

Note : Any additional items added to the initial project order will be subjected to freight charges.