

**Estimating sheet**

Contact: \_\_\_\_\_

Address: \_\_\_\_\_

\_\_\_\_\_

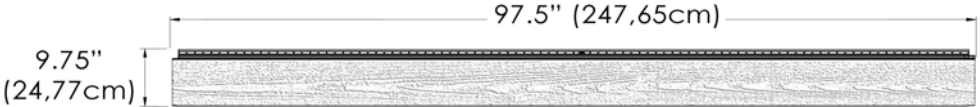
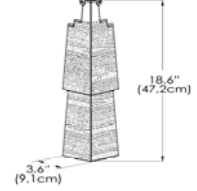


\_\_\_\_\_

Tel. : \_\_\_\_\_

Fax: \_\_\_\_\_

Project name: \_\_\_\_\_

Required date: \_\_\_\_\_

	Description		Profile	Total Qty
(A)	8" Cedar Plank 97.5" x 9.75" (247,65 cm x 24,77 cm) 1 pc = 5.55 ft <sup>2</sup> (0,5 m <sup>2</sup> ) Box = 18 pcs  			Color: _____  Box
(B)	8" Cedar Plank Corner 3.6"x18.6" (9,1 cm x 47,2 cm)	Box = 10 pcs		Color: _____  Box
(C)	Starter Strip J 10' (3,05 m)	Box= 25 pcs	 Aluminum	Box
(D)	Vinyl J-Trim 12"x0.875" (3,6 m x 2,22 cm )	Box = 40 pcs	 Vinyl	Color: _____  Box