

**Estimating sheet**

Contact: \_\_\_\_\_

Address: \_\_\_\_\_

\_\_\_\_\_

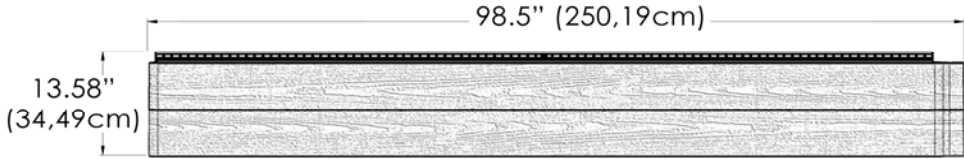
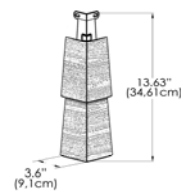


\_\_\_\_\_

Tel. : \_\_\_\_\_

Fax: \_\_\_\_\_

Project name: \_\_\_\_\_

Required date: \_\_\_\_\_

	Description	Profile	Total Qty	
<b>(A)</b>	D6" Cedar Plank 98.5" x 13.58" (250,19 cm x 34,49 cm) 1 pc = 7.96 ft <sup>2</sup> (0,74 m <sup>2</sup> ) Box = 12 pcs 		Color: _____  Box	
<b>(B)</b>	Polymer corner 3.6"x13.63" (9,1 cm x 34,61 cm) 1 pc = 1.33 linear feet (0,41 m lin.)	Box = 10 pcs		Color: _____  Box
<b>(C)</b>	Starter strip J 10' (3,05 m)	Box= 25 pcs	 Aluminum	Box
<b>(D)</b>	Vinyl J-Trim 12"x0.875" (3,6 m x 2,22 cm )	Box = 40 pcs	 Vinyl	Color: _____  Box