

Estimating sheet

Contact: _____


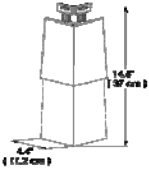


Address: _____

Tel. : _____

Fax: _____

Project name: _____

Required date: _____

(A)	Roughsawn Cedar Panel 49"x14.5" (124,5 cm x 36,8 cm) 1 pc = 4.16 ft ² (1,3 m ²)	Box = 12 pcs		Color: _____ Box
(B)	Roughsawn Cedar Corner 4.4"x14.7" (11,2 cm x 37 cm) 1 pc = 1.06 linear feet (0,33 lin.m)	Box = 10 pcs		Color: _____ Box
(C)	Starter Strip S 10' (3,05 m)	Box = 25 pcs	 <p>Aluminum</p>	Box
(D)	Vinyl J-Trim 12"x0.63" (3,6 m x 1,6 cm)	Box = 40 pcs	 <p>Vinyl</p>	Color: _____ Box