

**Estimating sheet**

Contact: \_\_\_\_\_

Address: \_\_\_\_\_

\_\_\_\_\_

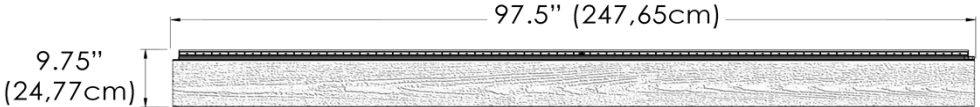
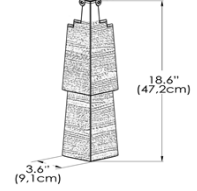
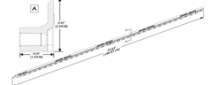

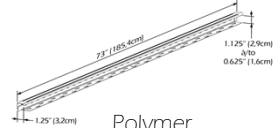
\_\_\_\_\_

Tel. : \_\_\_\_\_

Fax: \_\_\_\_\_

Project name: \_\_\_\_\_

Required date: \_\_\_\_\_

	Description		Profile	Total Qty
<b>(A)</b>	8" Cedar Plank 97.5" x 9.75" (247,65 cm x 24,77 cm) 1 pc = 5.55 ft <sup>2</sup> (0,5 m <sup>2</sup> ) Box = 18 pcs  			Color: _____  Box
<b>(B)</b>	8" Cedar Plank Corner 3.6"x18.6" (9,1 cm x 47,2 cm)	Box = 10 pcs		Color: _____  Box
<b>(C)</b>	Polymer Starter Strip J 6' (1,83 m)	Box= 24 pcs		Color: _____  Box
<b>(D)</b>	NoviTrim1 1.25"x6' (3,18cm x 1,8 m)	Box = 40 pcs  Overlap = 1" (2,54 cm)		Color: _____  Box
<b>(E)</b>	NoviTrim4 3.5"x6' (8,89cm x 1,8 m)	Box = 20 pcs		Color: _____  Box