

Estimating sheet

Contact: _____

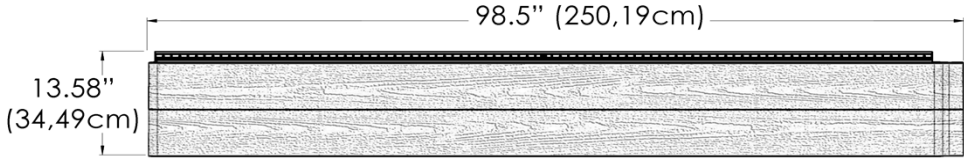
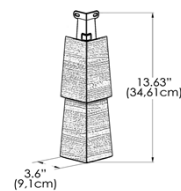
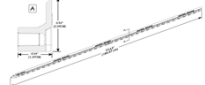
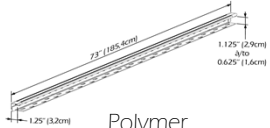
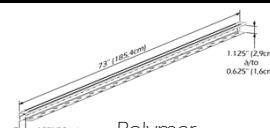
Address: _____

Tel. : _____

Fax: _____

Project name: _____

Required date: _____

	Description		Profile	Total Qty
(A)	D6" Cedar Plank 98.5" x 13.58" (250,19 cm x 34,49 cm) 1 pc = 7.96 ft ² (0,74 m ²) Box = 12 pcs 			Color: _____ Box
(B)	Polymer corner 3.6"x13.63" (9,1 cm x 34,61 cm) 1 pc = 1.33 linear feet (0,41 m lin.)	Box = 10 pcs		Color: _____ Box
(C)	Polymer Starter Strip J 6' (1,83 m)	Box= 24 pcs		Color: _____ Box
(D)	NoviTrim1 1.25'x6' (3,18cm x 1,8 m)	Box = 40 pcs Overlap = 1" (2,54 cm)	 Polymer	Color: _____ Box
(E)	NoviTrim4 3.5'x6' (8,89cm x 1,8 m)	Box = 20 pcs Overlap = 1" (2,54 cm)	 Polymer	Color: _____ Box