

**Estimating sheet**

Contact: \_\_\_\_\_

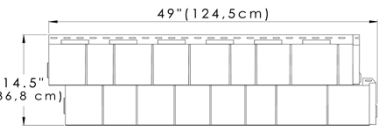
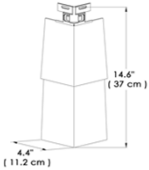
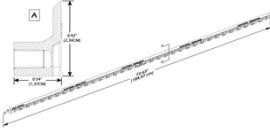
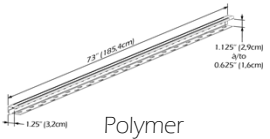
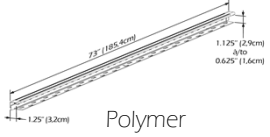
Address: \_\_\_\_\_  
 \_\_\_\_\_  
 \_\_\_\_\_

Tel. : \_\_\_\_\_

Fax: \_\_\_\_\_

Project name: \_\_\_\_\_

Required date: \_\_\_\_\_

<b>(A)</b>	Roughsawn Cedar Panel 49"x14.5" (124,5 cm x 36,8 cm) 1 pc = 4.16 ft <sup>2</sup> (1,3 m <sup>2</sup> )	Box = 12 pcs		Color: _____  Box
<b>(B)</b>	Roughsawn Cedar Corner 4.4"x14.7" (11,2 cm x 37 cm) 1 pc = 1.06 linear feet (0,33 lin.m)	Box = 10 pcs		Color: _____  Box
<b>(C)</b>	Polymer Starter Strip 6' (1,83 m)	Box = 24 pcs		Box
<b>(D)</b>	NoviTrim1 1.25"x6' (3,18cm x 1,8 m)	Box = 40 pcs  Overlap = 1" (2,54 cm)		Color: _____  Box
<b>(E)</b>	NoviTrim4 3.5"x6' (8,89cm x 1,8 m)	Box = 20 pcs  Overlap = 1" (2,54 cm)		Color: _____  Box