

# Polymer column

## Installation instructions:

1. Determine the height needed of the column by measuring the distance from the ground to the ceiling and subtracting the thickness (0.060" or 1.5 mm) of two support fixtures \*

- \* The aluminum reinforcement tube must be cut at a right angle with the exterior of the column, you must then cut part of the plastic in order to leave the tube stick out of about 3/16".



2. If you are installing a ramp, you must ensure that you keep a length of 36" to 42" inches on the lower square part of the column, we suggest that you cut 2 times more from the top (C) than what is cut from the bottom (A).

## Installation with polymer base:

When the column has been cut to the desired length, slide it into place with the support fixtures inserted in the column, see diagram #1. Once the support fixtures secured in place, install the base around the column, see diagram #2.

Diagram #1

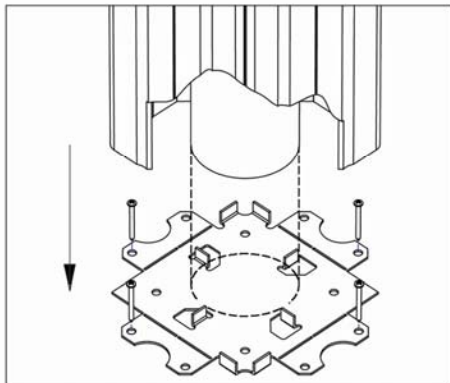
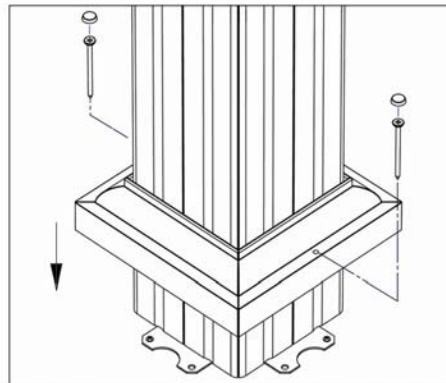


Diagram #2



## Installation without a polymer base:

Cut the four edges off the support fixtures and secure them in place, diagram #3. After the column has been cut to the desired height, the ceiling must be lifted to insert the column into the attachment plates, see diagram #4.

Diagram #3

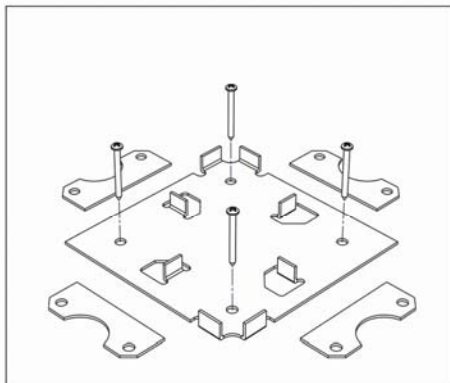


Diagram #4

