

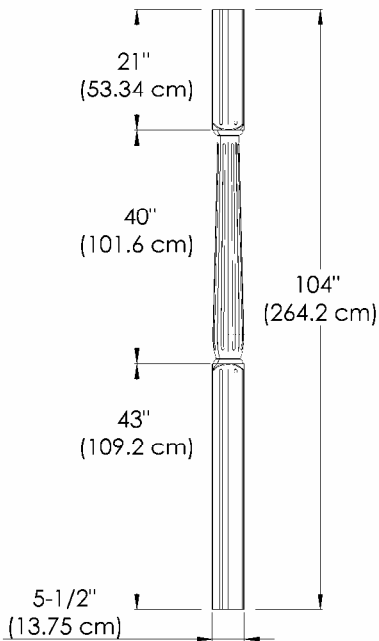
**NOVIPRO™ POLYMER COLUMN  
SPECIFICATION SHEET**

*Dimensions: 5.5" (13.75 cm) x 5.5" (13.75 cm) x 104" (264.2 cm)*  
*\*Model also available in 120" (300 cm)*

*Material thickness: 0.125" (0.32 cm)*

*Pieces per carton: 1*

*Approx. weight per carton: 22 lbs / 10 Kg*



<i>Models</i>	<i>Load bearing</i>	<i>Reinforced aluminum insert thickness</i>
<i>Standard 600</i>	<i>6000 lbs</i>	<i>0.05"</i>
<i>Optional 610</i>	<i>12 000 lbs</i>	<i>0.125"</i>
<i>Optional 620</i>	<i>24 000 lbs</i>	<i>0.187"</i>

